

## Optic USB Base Station (Part # BASE-U-1)

---

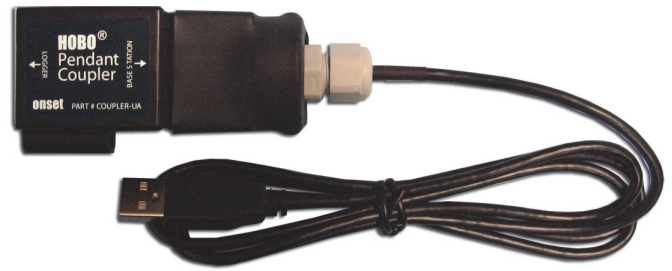
Inside this package:

- Optic USB Base Station with Coupler (Part # COUPLER-UA)

Thank you for purchasing an Onset Optic USB Base Station. With proper care, it will give you years of reliable service.

Doc # 9570-D, MAN-BASE-U-1  
Onset Computer Corporation

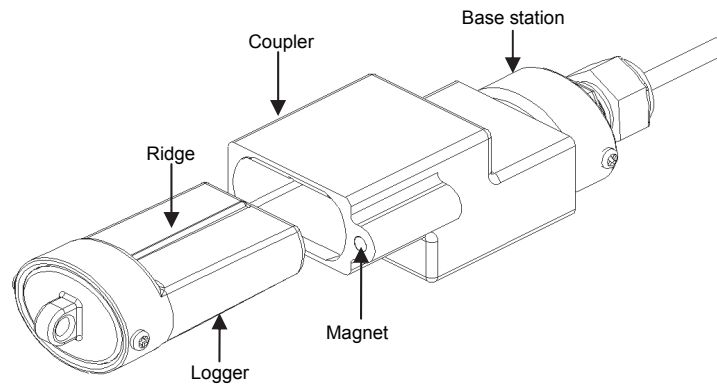
---



### What is the Optic USB Base Station?

The Optic USB Base Station is the device that is necessary to communicate between the host computer (i.e. PC) and certain models of Onset Computer Corporation's loggers. The base station uses infrared light to transfer data, which allows loggers to be completely sealed and waterproof. The Optic USB Base Station converts the USB communication protocol into an infrared protocol used by the optic USB loggers.

Make sure that the logger is inserted in the end of the coupler that has the magnet, and that the ridges on the base station and logger are aligned with the grooves in the coupler. If the logger is not aligned with the magnet, or if the ridges on the logger and base station are not aligned with the grooves in the coupler, the logger and the Optic USB Base Station will be unable to communicate.



Remove the logger from the coupler when it is not communicating with the computer. Storing the logger in the coupler will cause the battery to run down prematurely.

For detailed instructions on how to launch and read out data, refer to the software user's manual. The Optic USB Base Station requires HOBOWare® 2.0 or later.

### What loggers are supported by this Optic USB Base Station?

This model of the Optic USB Base Station supports the HOBOPendant® logger family (loggers whose part numbers begin with "UA").

### Operating temperature

The Optic USB Base Station will operate at temperatures of 0 to 50°C (32 to 122°F). The device can be safely stored at temperatures of -20 to 70°C (-4 to 158°F).

### Operating tips

- This base station is water-resistant. It is splash-proof, but it is not designed to be immersed or operated under water.
- Strong sunlight may interfere with communications. If the base station does not seem to be working, try again in a shaded area.
- Remove the logger from the coupler when it is not communicating with the computer. Storing the logger in the coupler may cause the logger's battery to run down prematurely.